

# EMBRACE PLUS SHOWER PIPE 250 BATH 3 JETS

## PRODUCT INFORMATION



Model	TVS1082500461
Collection	Embrace PLUS
Finish	Polished Chrome
Water Flow at 3 bar	max. 9.5 l/min Hand Shower max. 9.5 l/min Rain Shower max. 26.5 l/min Bath Filler
Dimensions	H 940-1.090 x W 472 mm
Diverter	4 Ways: Off, Hand Shower, Rain Shower, Bath Filler
Hose Length	1.6 m
Flow Restrictor	9.5 l/min
Cartridge	Thermostat
Material Rain Shower	Stainless Steel
Diameter Rain Shower	250 mm
Column & Mixer Material	Brass
Rosette Material	Brass
Hand Shower	TVS1084120161
Spray Types	Relax Massage Intense

## PRODUCT FEATURES



### Easy to Clean:

Easily remove limescale thanks to the flexible nozzles..



### Max. Flow volumes:

9,5 l/min..



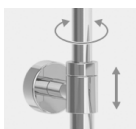
### Scald protection:

At 38°C



### A soothing experience:

Enjoy lavish shower comfort with the movable and removable hand shower.



### Movable shower arm:

Can be swiveled to the left and right..



### Shower hose with Anti-Twist-Protection:

Flexible and kink-resistant hose with anti-twist protection.



### Comfortable hand shower holder:

Adjustable height and tilt angle.



### A comfortable shower experience:

Let yourself be pampered by the shower experience of the wide shower head..



### Jet regulator:

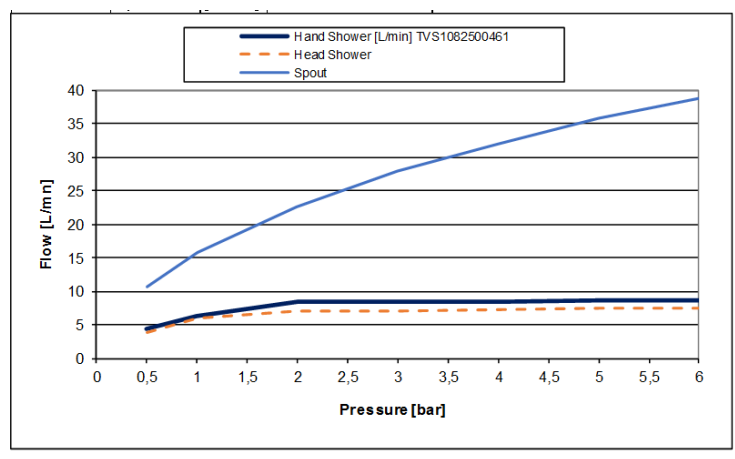
Intuitive jet mode changes via the easy-to-push button. Ergonomically shaped and flush fitting.



### Safe:

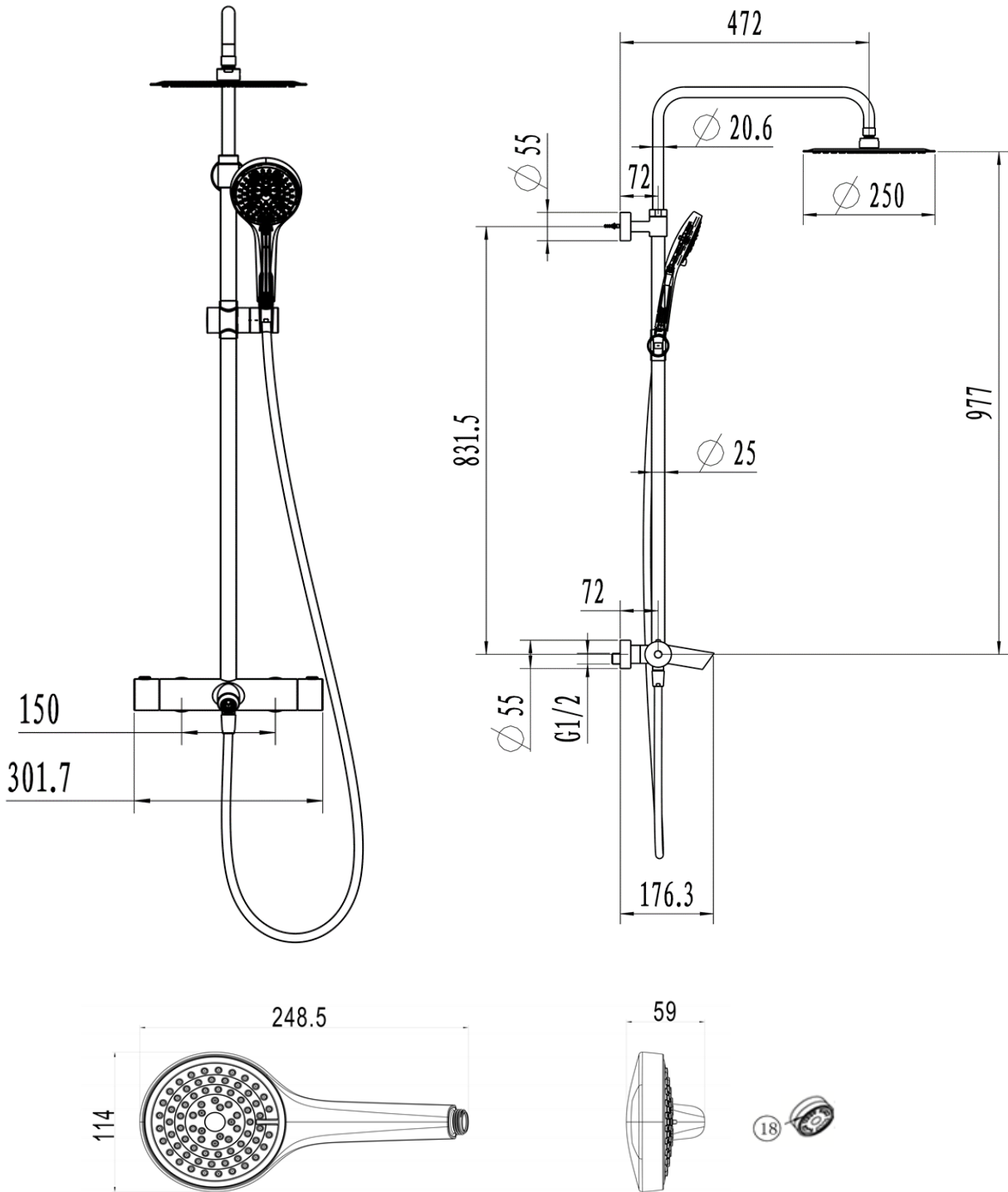
Protection from pressure and temperature fluctuations.

# FLOW CHART



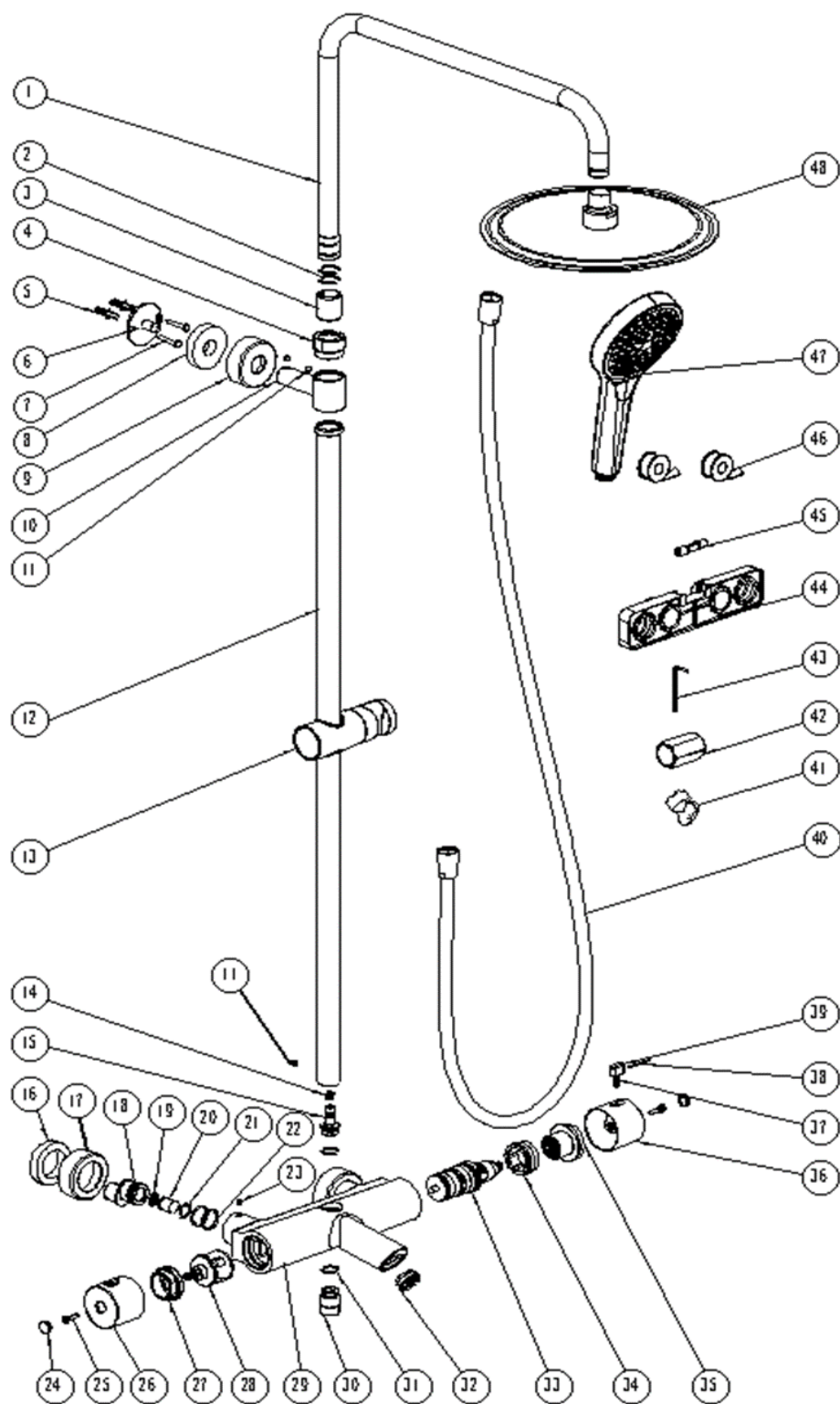
EMBRACE PLUS SHOWER PIPE 250 BATH 3 JETS

TECHNICAL DRAWING



# EMBRACE PLUS SHOWER PIPE 250 BATH 3 JETS

## EXPLOSION DRAWING



## EMBRACE PLUS SHOWER PIPE 250 BATH 3 JETS

### SPARE PARTS

Article Number	Description	No.	Consists of
TVS10801802000	Shower pipe O-Ring & connection set	2, 3, 11, 14	2. O-Ring, 3. Washer 11. Set Screw 14. O-Ring
TVS10801004000	Fixation Kit	5, 6, 7, 8, 9, 11	5. Wall anchor set 6. Fixation plate 7. Screw set 8. Sealing foam 9. Rosette 11. Set screw
TVS10801102000	Hand shower slider	13	Hand shower slider
TVS10801602000	S-Connector Set	18, 19, 20, 21, 22, 23	18. S-Connector 19. Back flow preventer 20. O-Ring 21. O-Ring, 22. O-Ring 23. Set screw
TVS10801702000	Rosette for S-Connector Set	16, 17	16. Sealing foam 17. Rosette
TVS10801305000	Handle Set for Diverter	24, 25, 26	24. Cover plate 25. Screw 26. Diverter Handle
TVS10801205000	Diverter	28	Diverter
TVS10800102000	Thermostatic cartridge	33	Thermostatic cartridge
TVS10801502000	Handle set for thermostat	36, 37, 38, 39	36+37. Handle & Screw 38+39. Temperature Block Button Assembly
TVS10801402061	Rain shower	48	Rain shower
TVS10802002000	Aerator	32, 41	32. Aerator 41. Aerator Key