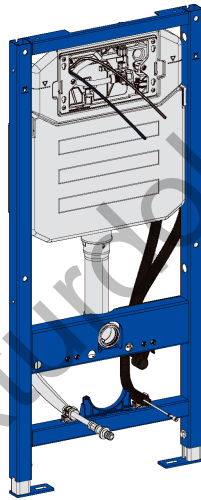


座厕安装系统安装手册



EN Installation instructions

ZH 安装说明

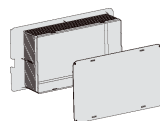
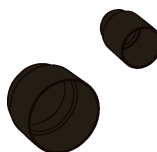
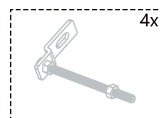
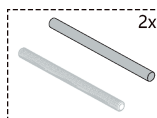
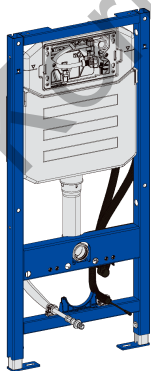


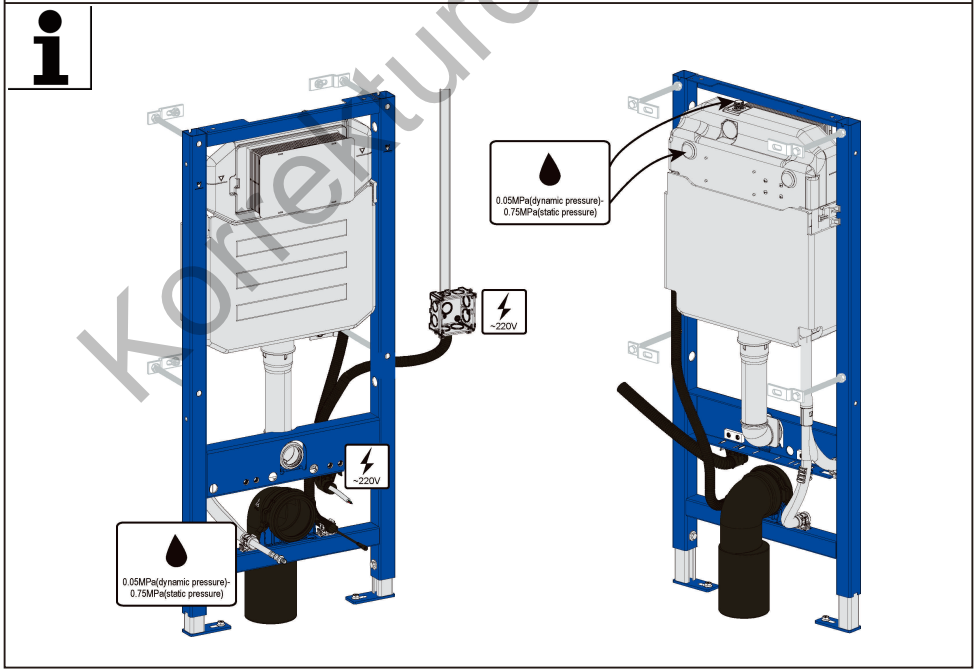
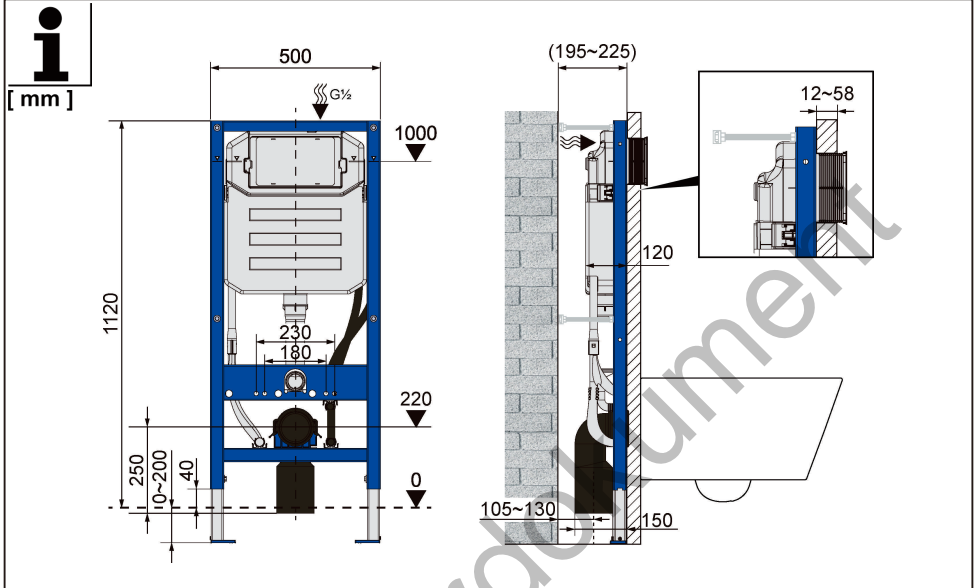


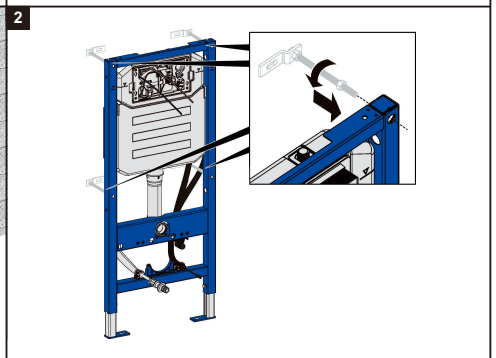
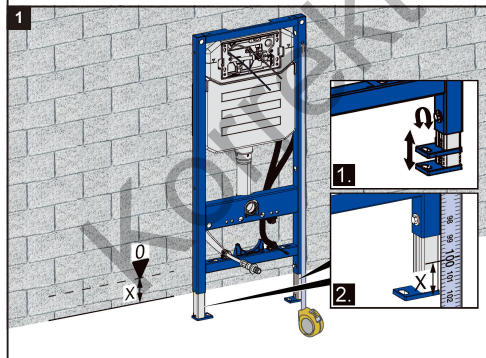
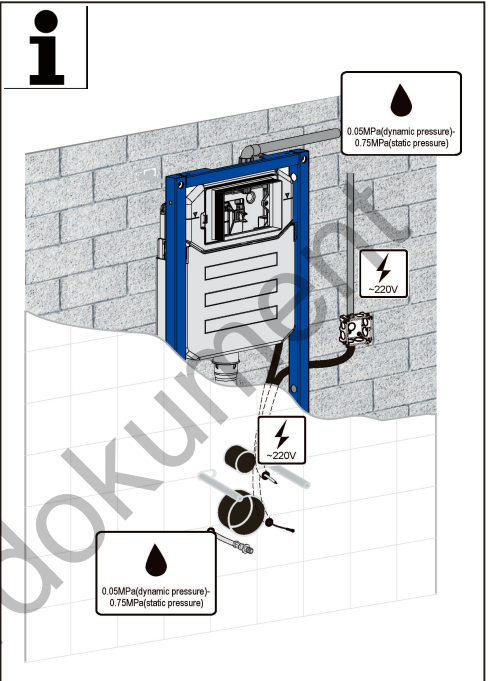
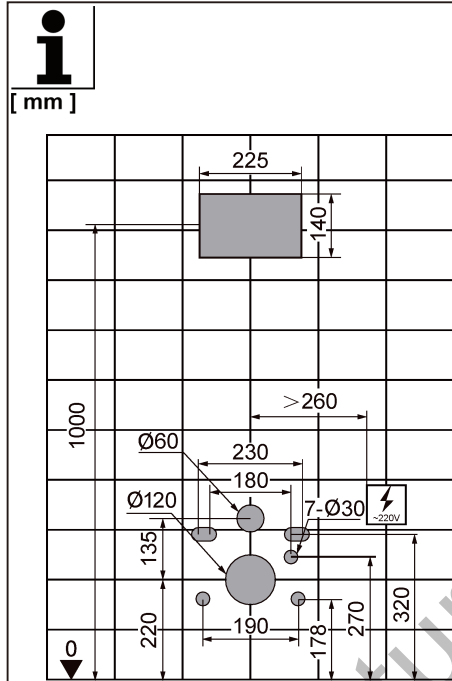
安装前须知：
Notes before installation:

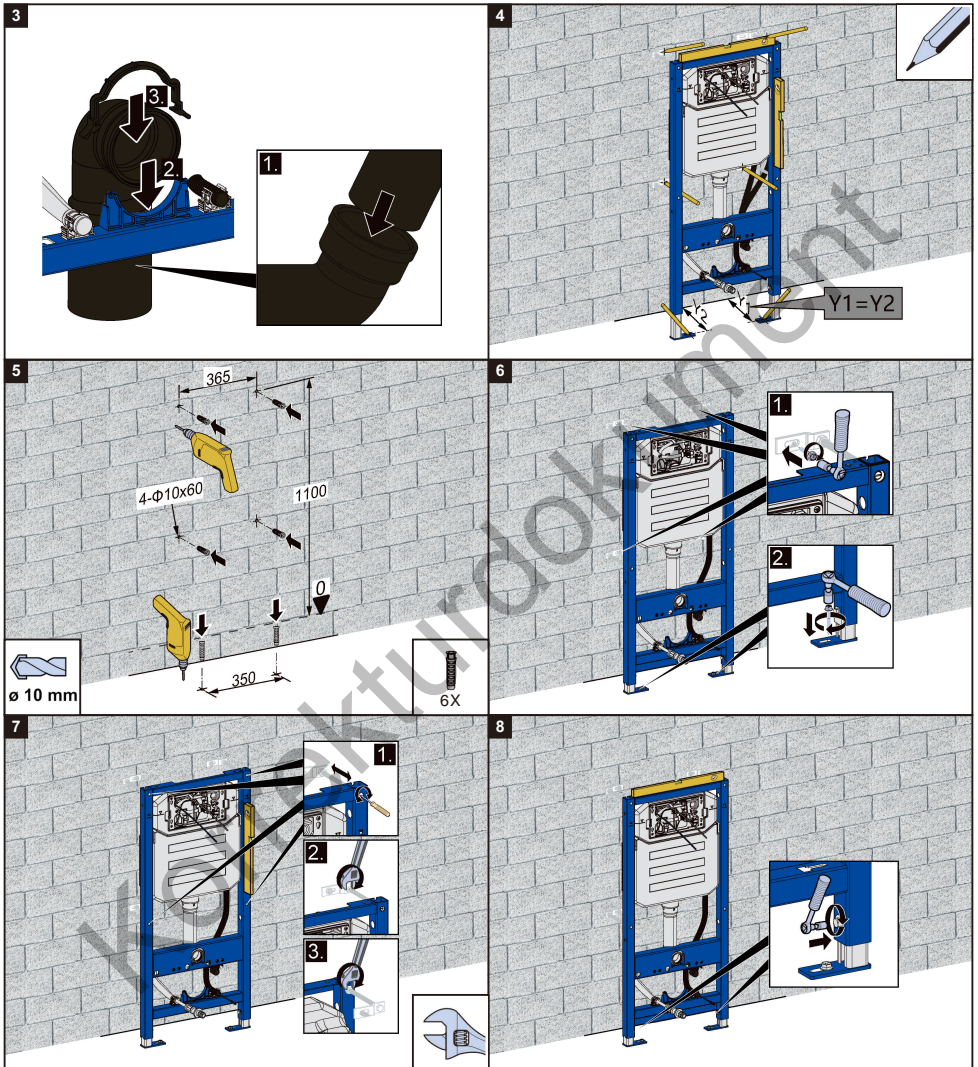
1. 产品安装前请仔细阅读说明书并严格遵守操作内容，以免造成未按说明书要求施工所导致的损失；
2. 产品安装墙面须为承重墙或实心墙的受力结构，墙体厚度应大于80毫米。且当以不小于300Kg的力施加于完工后的马桶前端时，墙体应能承受。
3. 产品安装前，在安装墙上画出完成面（工程完工后的地板面）标记线，并始终以此作为高度0的基准线；
4. 建议在产品触手可及的位置安装总电源开关，用于紧急情况下，切断产品供电；
5. 所有的标注尺寸单位为毫米（mm）；
6. 若图示零件与实物不符，请以实物为准。

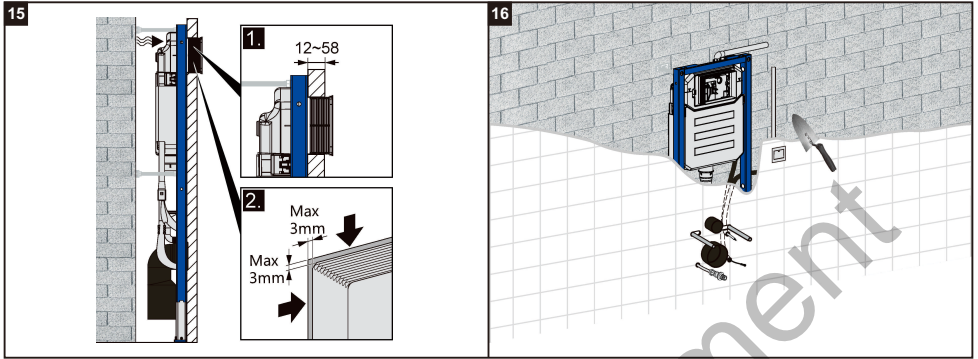
1. Please read the instructions carefully and strictly abide by the operation contents before the product is installed, so as to avoid the loss caused by the construction not in accordance with the instructions;
2. The installation wall of the product shall be the bearing structure of the load-bearing wall or solid wall, the wall thickness shall be greater than 80 mm. And the wall shall be it when applied to the front end of the finished toilet with no less than 300kg.
3. Before the installation of the product, draw the mark line of the completion surface (the floor surface after the completion of the project) on the installation wall, and always use this as the baseline of height 0;
4. It is recommended to install the main power switch in the accessible position of the product to cut off the power supply of the product in case of emergency;
5. All dimensions are in millimeters (mm);
6. If the parts shown in the picture are not in conformity with the physical object, please take the physical object as the standard.











Villeroy & Boch

唯宝贸易（上海）有限公司
上海市长宁区古北路555弄8号1001室
金虹桥商务楼10楼
电话：400-820-1748
邮件：Tsc-cn@Villeroy-boch.com

Villeroy & Boch Trading (Shanghai) Co.,Ltd.
Room1001, No.8, Lane 555, Gu Bei Road,
Chang Ning District, 200051, Shanghai, China
Phone: 400-820-1748
Email: Tsc-cn@Villeroy-boch.com

GERMANY
Villeroy & Boch AG
Bathroom and Wellness Division
Headquarters
66693 Mettlach
Germany
Tel: +49 (0) 68 64 / 81 0
Fax: +49 (0) 68 64 / 81 1484

48242// 20221020

Shades and dimensions subject to the usual tolerances. We reserve the right to make technical modifications to the range and alter colours.