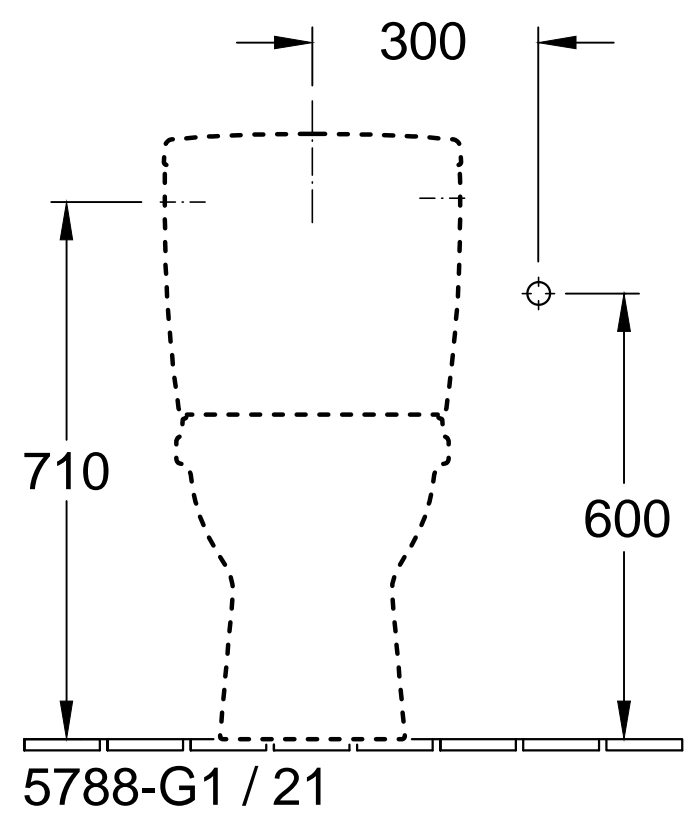
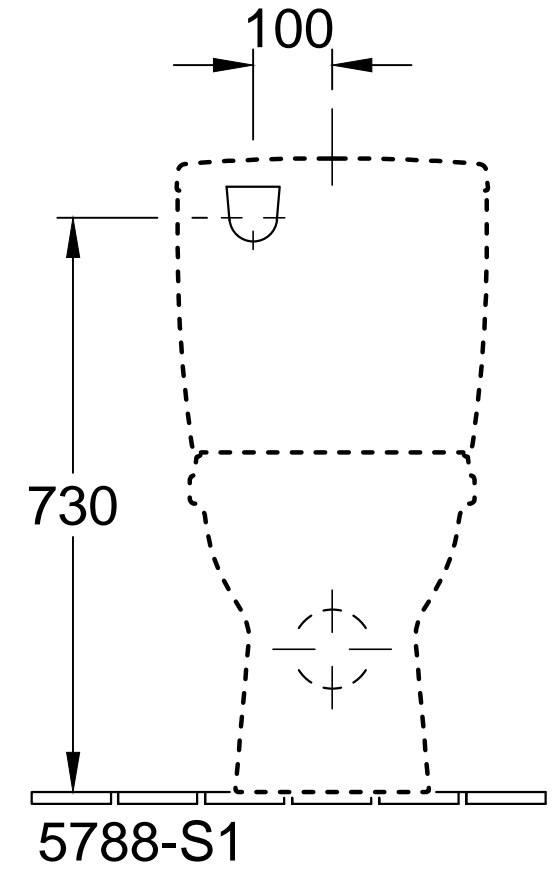



\* 8701 00 = 175 - 265  
\* 8711 00 = 95 - 185



<p>O.novo 5658 10 5788 G1 / R1 / S1 / 21</p>	
<p>V03 / 27.01.2021</p>	<p><b>Villeroy &amp; Boch</b> 1748</p>